

## FORGED STEEL "Y" STRAINER Class 800 lbs

DRW: RD/02/FF01 Rev.1

### Forged steel Y pattern strainers complete with drain plug

Filtri forgiati ad Y completi di tappi di spurgo

#### Standard screen:

Elemento filtrante standard:

- Perforation: 0,8 mm  
- Perforazioni: 0,8 mm
- Density of holes: 45/cm<sup>2</sup>  
- Densità dei fori: 45/cm<sup>2</sup>

#### End connections :

Connessioni :

- Screwed to ANSI B 2.1  
- Filettati ANSI B 2.1
- Socket weld to ANSI B 16.11  
- Tasca a saldare - S.W. - ANSI B16.11
- Butt weld to ANSI B 16.25  
- A saldare di testa - B.W. - ANSI B 16.25

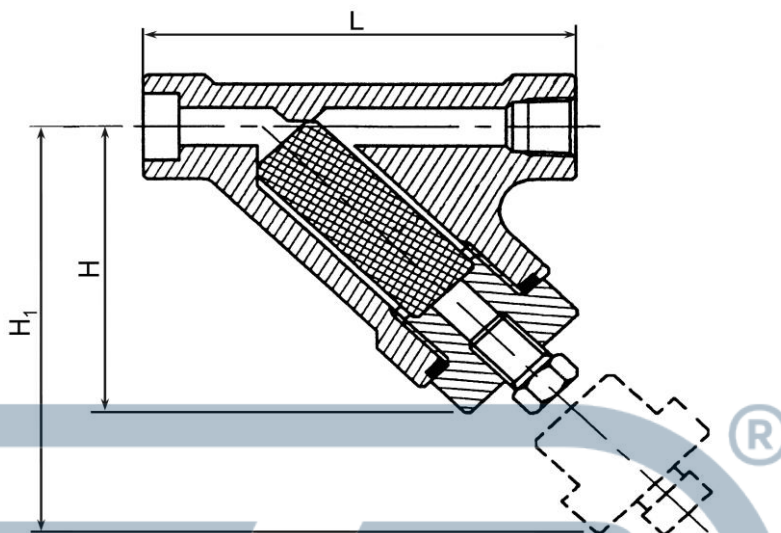
#### - Dimensions (mm.):

##### - SCREWED COVER -

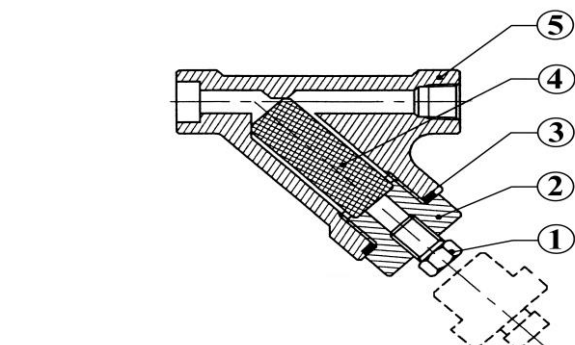
Dn	15	20	25	32	40
NPS	1/2"	3/4"	1"	1 1/4"	1 1/2"
L	90	110	130	160	160
H	60	75	93	120	120
H <sub>1</sub>	105	140	155	195	195
Drain Plug	1/4" NPT	1/4" NPT	1/4" NPT	1/4" NPT	1/4" NPT
Weight (Kg.)	0,9	1,4	2,6	3,5	5,8

##### - BOLTED COVER -

Dn	15	20	25	32	40	50
NPS	1/2"	3/4"	1"	1 1/4"	1 1/2"	2"
L	110	110	120	160	160	160
H	90	90	145	145	145	145
H <sub>1</sub>	160	160	205	205	205	205
Drain Plug	1/4" NPT	1/4" NPT	1/4" NPT	1/4" NPT	1/4" NPT	1/2" NPT
Weight (Kg.)	1,2	1,8	3	4,3	6,5	8,5



- Hydraulic test pressures: 3000psi (210 bar)



Item	Part Name <i>Elenco Componenti</i>	Materials <i>Materiali</i>	
1	Drain Plug <i>Tappo di Spurgo</i>	Stainless Steel	Stainless Steel
2	Cover <i>Coperchio</i>	ASTM A105	AISI 316/L
3	Gasket <i>Guarnizione</i>	SPIRAL WOUND AISI 316/L + GRAPHITE	
4	Screen <i>Filtro</i>	AISI 316L	AISI 316/L
5	Body <i>Coperchio</i>	ASTM A105N	AISI 316/L